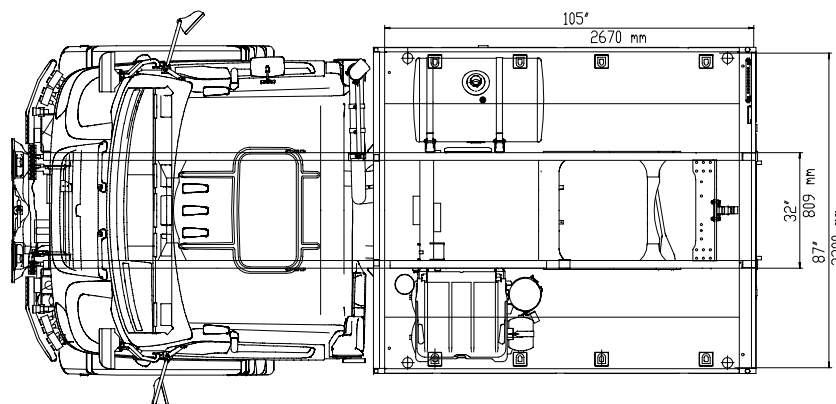


Scale
 0 10 20 30 39.4 [in]
 0 254 508 762 1000 [mm]



VEHICLE SHOWN WITH FOLLOWING AXLE LOADS:
 FRONT AXLE 9260lb / 4200 Kg
 REAR AXLE 12125lb / 5550 Kg
 TOTAL 21495lb / 9750 Kg

VEHICLE SHOWN WITH THE FOLLOWING
 OPTIONAL EXTRAS FITTED:
 C 88, D 12, HYDRAULIC PACKAGE H 06,
 H 64, L 47, N 08, P 27, P 60,
 Q 20, S 12, S 82, S 83

1" = 25.4 mm

UNIMOG U 500, WHEELBASE 132" / 3350mm, RK 405 000 R 002
 May 23rd, 2003